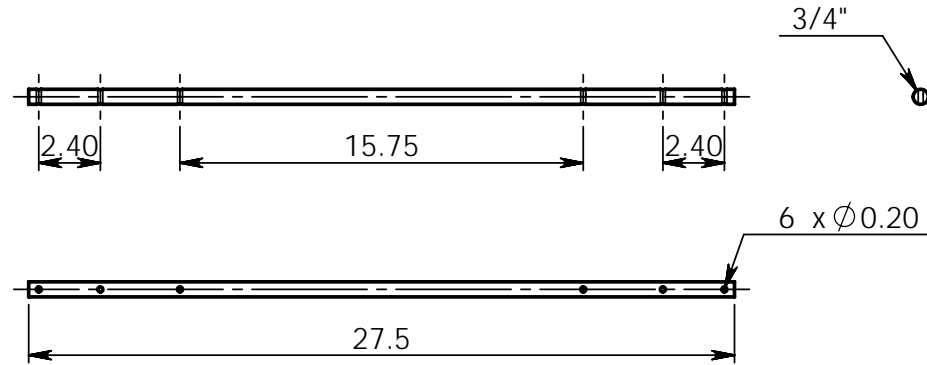
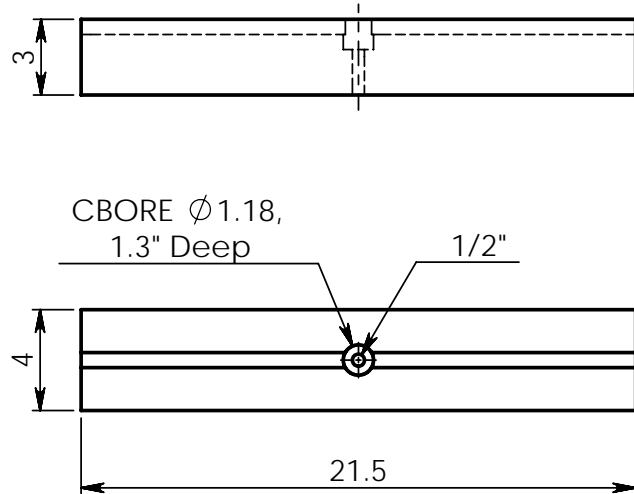


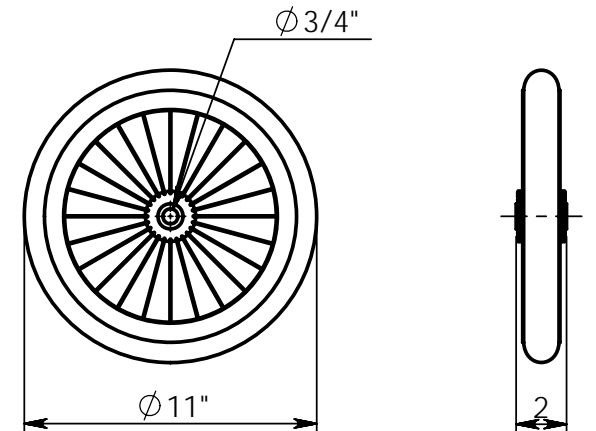
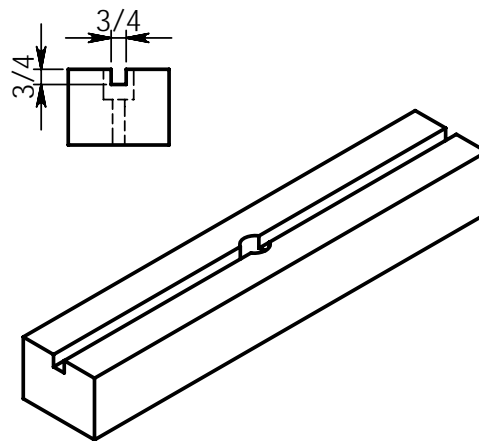
⑥ REAR AXLE PADDING x 8pcs



⑦ METAL AXLES x 2pcs



⑧ FRONT AXLE SUPPORT x 1pc



⑨ SPOKED WHEEL x 4pcs

PROPRIETARY AND CONFIDENTIAL
 THE INFORMATION CONTAINED IN THIS DRAWING IS THE SOLE PROPERTY OF THE DESIGNER. ANY REPRODUCTION IN PART OR AS A WHOLE WITHOUT THE WRITTEN PERMISSION OF THE DESIGNER IS PROHIBITED.

UNLESS OTHERWISE SPECIFIED DIMENSIONS ARE INCHES	CAD GENERATED DRAWING DO NOT MANUALLY UPDATE	WWW.KARTBUILDING.NET	
	APPROVALS	TITLE: ITEMS 6 - 9	
MATERIAL	DESIGNER: STEPHEN BURKE	FILE NAME: Main_Wooden_Kart_Inches	
FINISH: BREAK ALL SHARP EDGES R0.13 MAX	APPROVED:	DIRECTORY: F:\karting\Wooden_Kart_Source_Files\	
	DATE: 09/06/2007	SIZE A4	DWG. NO. :6
DO NOT SCALE DRAWING		REV. 1	SIGNATURE:
		SCALE:1:7.5	SHEET 6 OF 7