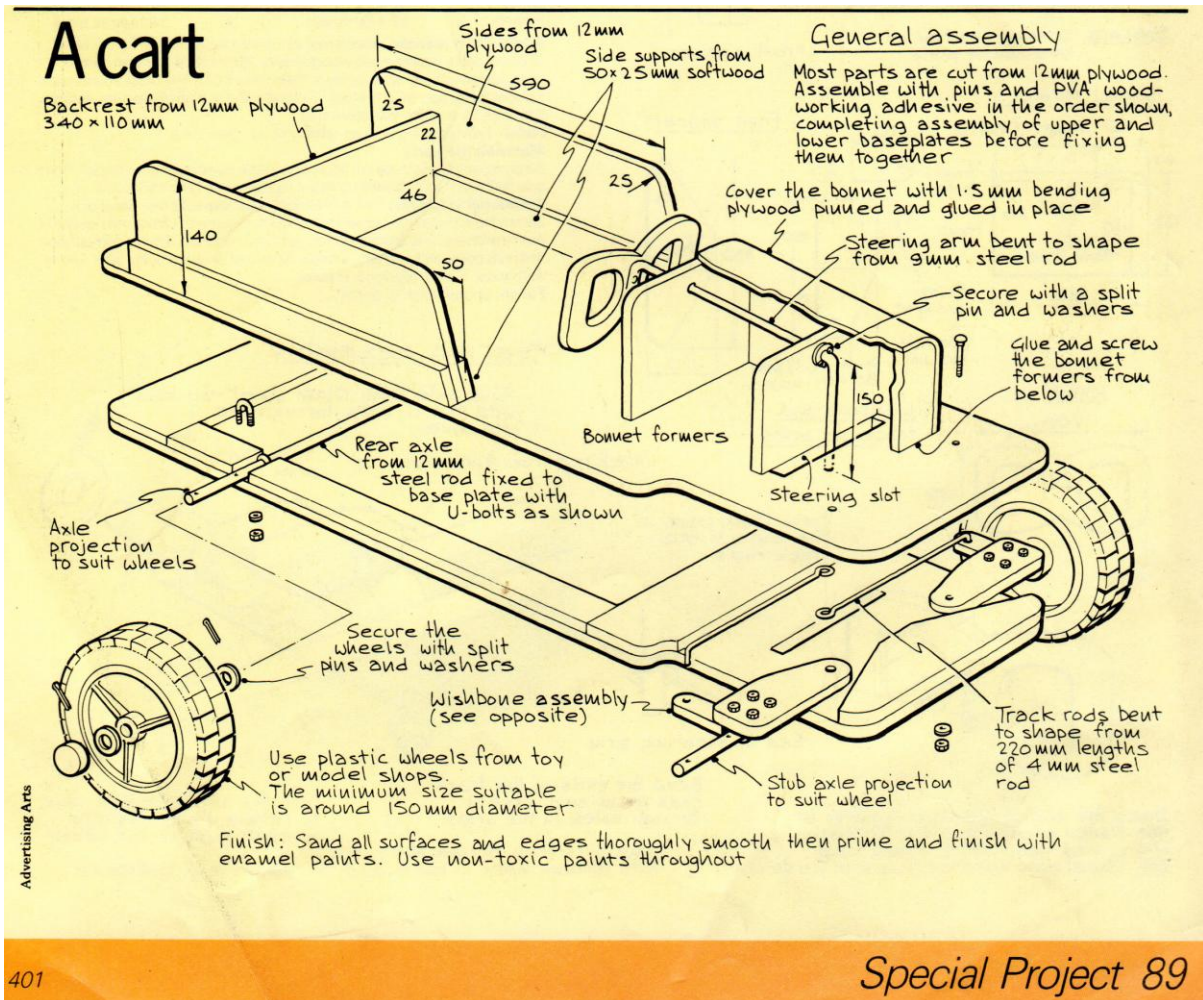


Plans for: A Cart

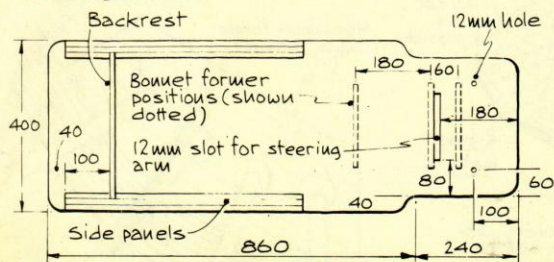
These original plans for making a Wooden Push Cart were in a collectable magazine called "Profile". Minor modifications of this Cart were made and subsequently a new set of plans were produced and available on www.kartbuilding.net

A nice feature of this Cart is that it has a complete steering setup with steering wheel, track rods and pivoting front stub axles.

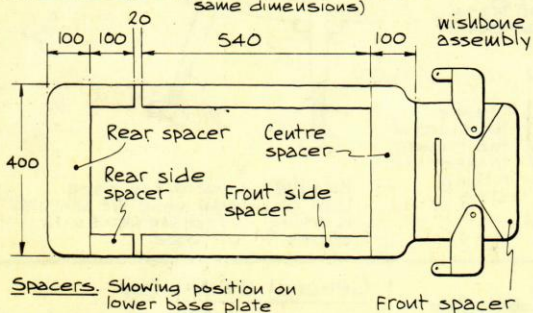


Cutting plans

All parts are 12mm plywood

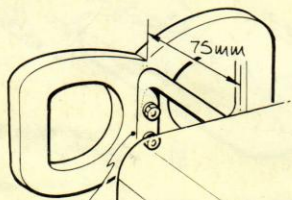
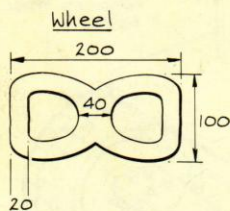
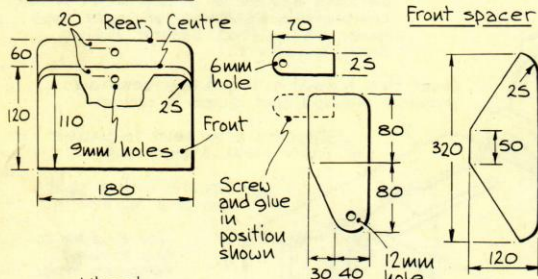


Upper base plate (cut out lower base plate to same dimensions)



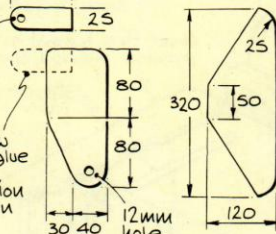
Spacers Showing position on lower base plate

Bownet formers

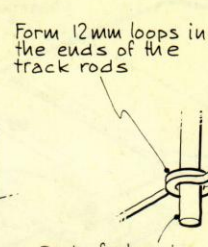


Bend the end of the steering arm at 90°. Flatten slightly and drill for two M4 domed head bolts, 25mm long. Bolt wheel onto the steering arm as shown

Front spacer



Wishbone and track rod arms



End of steering arm

Bend the ends of the track rods down and insert through holes in the arms

king pins from 50mm M10 coach bolts through holes in base and through hole in wishbone



Simon Butcher

Cutting list (sledge)

All sizes are in millimetres.

Part	Material	No.	Size
top rails	32 x 32mm ash	2	990mm
cross rails	32 x 32mm ash	3	340mm
top slats	32 x 12mm ash	6	1022mm
uprights	32 x 32mm ash	2	315mm
uprights	32 x 32mm ash	4	320mm
runners	32 x 6mm ash	2	18 metres total

Additional materials: Waterproof woodworking adhesive, 25mm No 6 (3.6mm) brass countersunk woodscrews, 25mm No 8 (4.2mm) domed head japanned steel woodscrews, 19mm No 6 (3.6mm) brass countersunk woodscrews, approx. 3 metres 1/2-round brass or aluminium strip, approx. 3 metres 25 x 4mm mild steel strip

Finish: Polyurethane lacquer, metal primer, gloss paint

Materials list (cart)

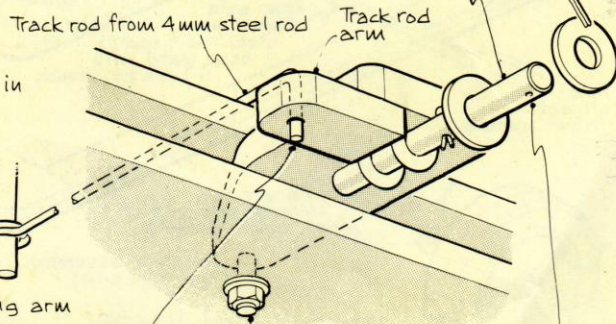
All plywood parts can be cut according to the cutting plans on the left on one half of a standard sheet (2440 x 1220mm) of 12mm plywood.

Additional materials: PVA woodworking adhesive, 25mm panel pins, 25mm No 6 (3.6mm) countersunk chipboard screws, 12mm mild steel rod, 4mm mild steel rod, 9mm steel rod, split pins, washers, 25mm domed head M4 nuts bolts and washers, wheels, 50mm M10 coach bolts, 50 x 25mm softwood, 1.5mm plywood, U-bolts

Finish: primer, enamel paints

Steering assembly

Stub axle from 12mm steel rod held with two U-bolts through the wishbone



Drill the axles for split pins to retain plate washers on each side of the wheels