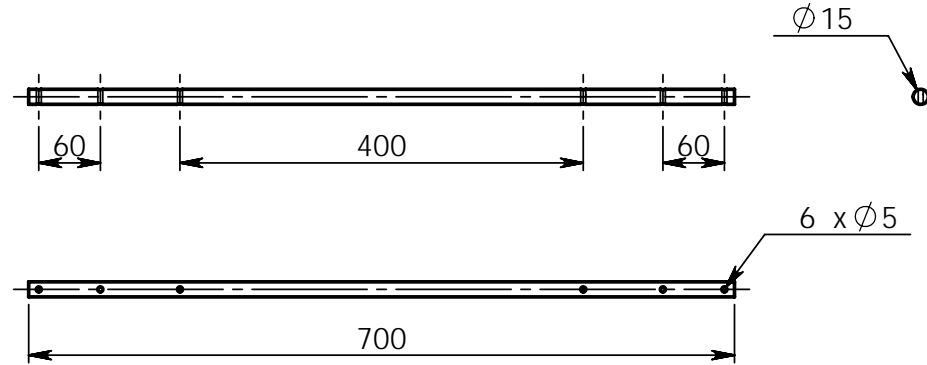
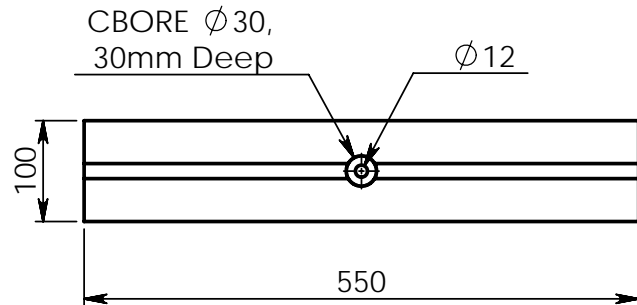
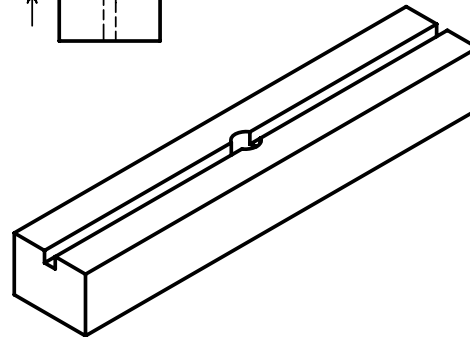
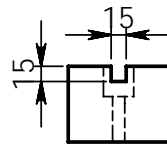


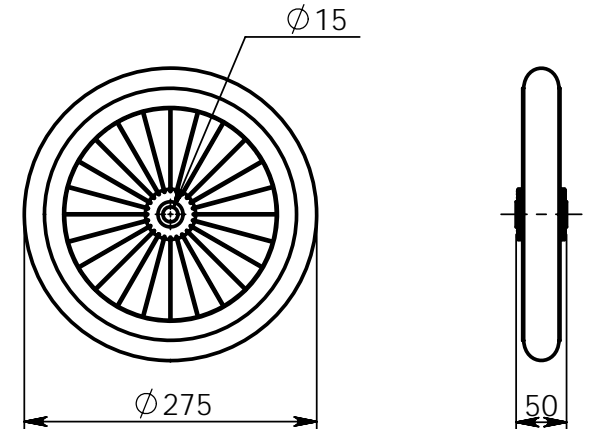
⑥ REAR AXLE PADDING x 8pcs



⑦ METAL AXLES x 2pcs



⑧ FRONT AXLE SUPPORT x 1pc



⑨ SPOKED WHEEL x 2pcs

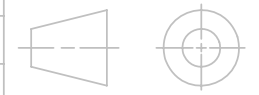
PROPRIETARY AND CONFIDENTIAL
 THE INFORMATION CONTAINED IN THIS DRAWING IS THE SOLE PROPERTY OF THE DESIGNER. ANY REPRODUCTION IN PART OR AS A WHOLE WITHOUT THE WRITTEN PERMISSION OF THE DESIGNER IS PROHIBITED.

UNLESS OTHERWISE SPECIFIED
 DIMENSIONS ARE IN MILLIMETERS
 TOLERANCES ARE:
 XXX (0 PLS) ±0.5MM
 XX.X (1 PLS) ±0.1MM
 X.XX (2 PLS) ±0.03MM
 UNLESS OTHERWISE NOTED

MATERIAL: -----
 FINISH: BREAK ALL SHARP EDGES
 R0.13 MAX
 DO NOT SCALE DRAWING

CAD GENERATED DRAWING
 DO NOT MANUALLY UPDATE

APPROVALS
 DESIGNER: STEPHEN BURKE
 APPROVED:
 DATE: 02/02/2007



WWW.KARTBUILDING.NET

TITLE:
ITEMS 6 - 9

FILE NAME:
 Main_Wooden_Kart
 DIRECTORY:
 C:\Documents and Settings\Administrator\Desktop\Wooden_Kart\
 SIZE: A4 DWG. NO.: 6 REV. 1
 SCALE: 1:7.5 SIGNATURE: SHEET 6 OF 7