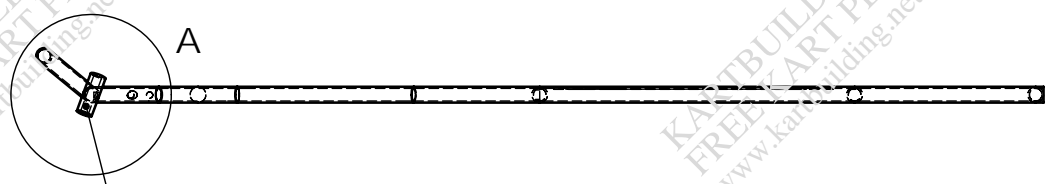
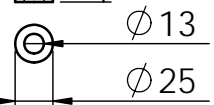
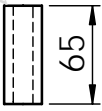


KARTBUILDING
 FREE KART PLANS
 www.kartbuilding.net

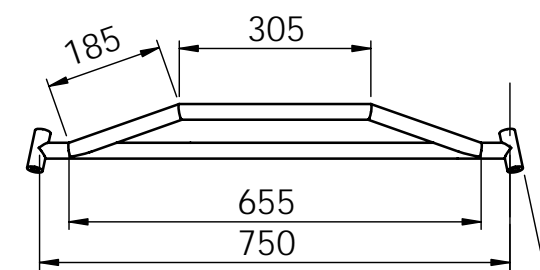
KARTBUILDING
 FREE KART PLANS
 www.kartbuilding.net



FRONT ELEVATION

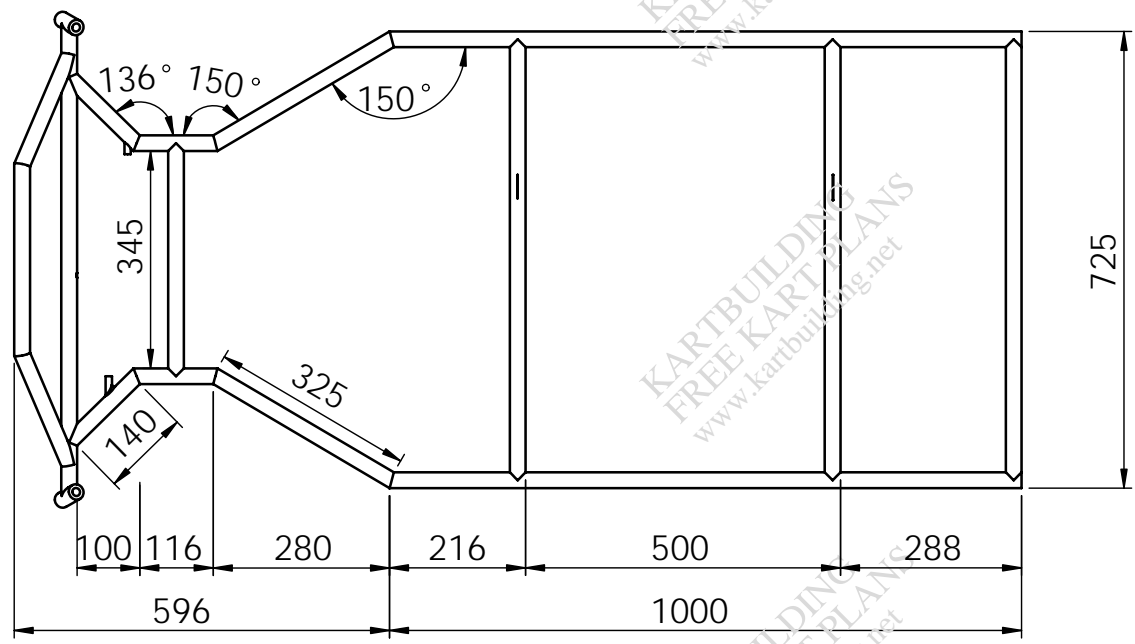


KING PIN MOUNTING PIECE

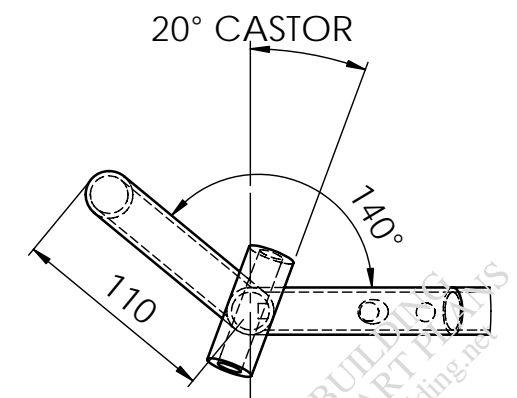


LEFT ELEVATION

12° CAMBER



TOP PLAN



A (1:4)
 DETAIL VIEW (A)

CHASSIS MATERIAL: 25mm O.D. (OUTSIDE DIAMETER) TUBING
 2-3mm WALL THICKNESS

KARTBUILDING	
FREE RACING KART PLANS	
www.kartbuilding.net	
DRG. NO.: 3	DATE: 16/12/05
© STEPHEN BURKE	

CHASSIS	
DRG. NO.: 3	DATE: 16/12/05

KARTBUILDING
 FREE KART PLANS
 www.kartbuilding.net