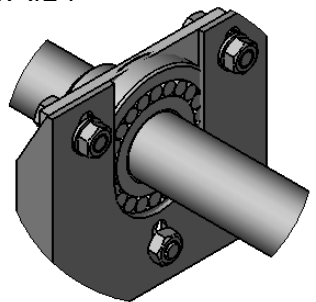
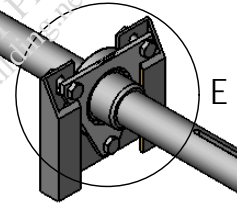


DETAIL H - KEYWAY

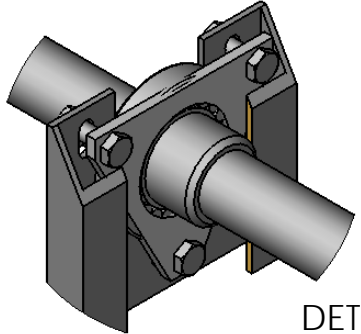
DETAIL F



F



E



DETAIL E

- MATERIAL:
- DIAMETER 30 STEEL BAR
  - KEYWAYS TO BE MILLED OR GROUND

**KARTBUILDING**

FREE RACING KART PLANS

REAR AXLE

www.kartbuilding.net

DRG. NO.: 6

DATE: 24/07/03

© STEPHEN BURKE