

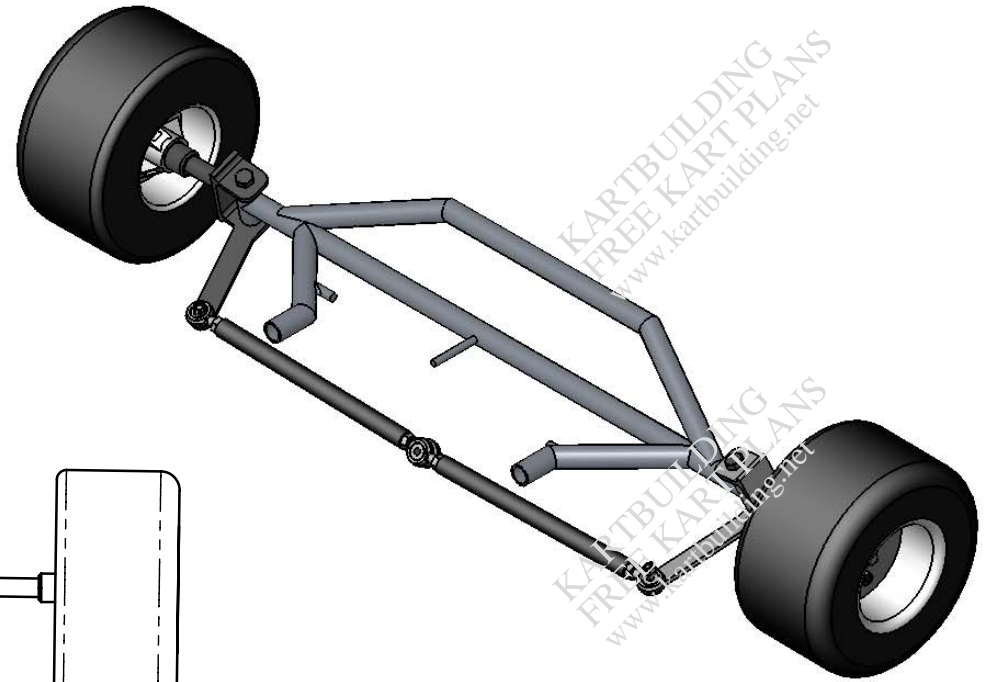
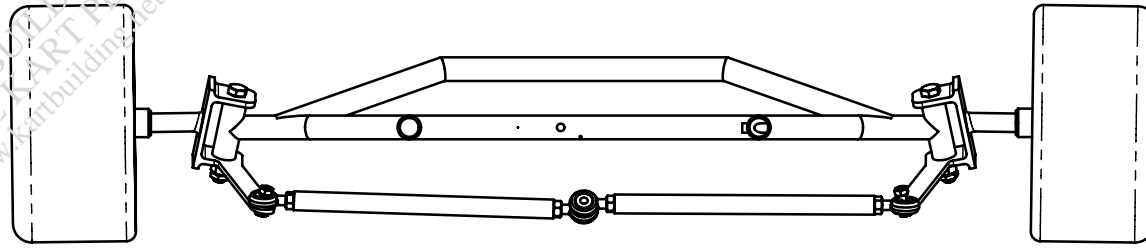
KARTBUILDING
FREE KART PLANS
www.kartbuilding.net

KARTBUILDING
FREE KART PLANS
www.kartbuilding.net

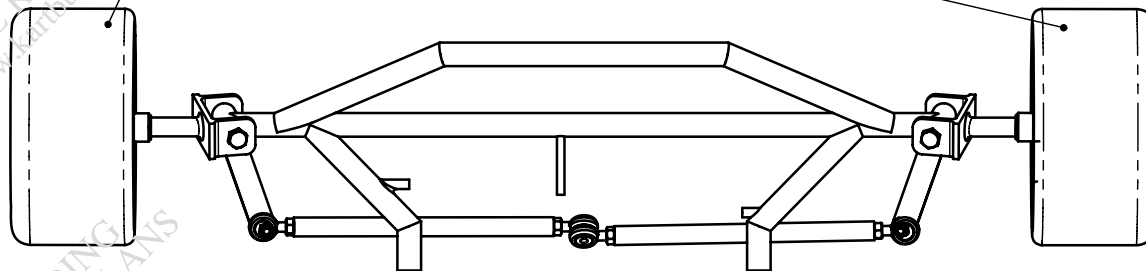
KARTBUILDING
FREE KART PLANS
www.kartbuilding.net

KARTBUILDING
FREE KART PLANS
www.kartbuilding.net

KARTBUILDING
FREE KART PLANS
www.kartbuilding.net



FRONT WHEELS MUST BE PARALLEL
THIS CAN BE ADJUSTED VIA THE ROSE ENDS THREAD
ON THE TRACK RODS.



TRACK ROD
PUSHED TO THE LEFT
(OR)
PULLED TO THE RIGHT

TRACK ROD
PUSHED TO THE RIGHT
(OR)
PULLED TO THE LEFT

KARTBUILDING
FREE KART PLANS
www.kartbuilding.net

KARTBUILDING
FREE KART PLANS
www.kartbuilding.net

KARTBUILDING
FREE KART PLANS
www.kartbuilding.net

KARTBUILDING	
FREE RACING KART PLANS	
www.kartbuilding.net	

FRONT STEERING	
DRG. NO.: 12	DATE: 24/07/03

© STEPHEN BURKE